

## SURFACE WATER DRAINAGE ACCESSORIES

Products covered in this spec sheet are as listed below:

Product	Code	Weight	Overall Size
EasyDRAIN 80 End Cap	83700	33g	L:130 x H:46mm
EasyDRAIN 80 Converter	83701	10g	L:130 x H:51mm
EasyDRAIN 100 End Cap	83360	540g	L:138 x H:131mm
EasyDRAIN 100 Converter	83370	400g	L:130 x H:46mm
150 Series End Cap	81615	100g	L:130 x H:46mm
200 Series End Cap	81665	100g	L:130 x H:46mm
Pit Boss	80080	140g	L:130 x H:130mm
Leaf Dome	84040	20g	L:83 x H:51mm

### Material

Recycled UV Stabilised Polymer

### Suitable Applications

- End Caps suit EasyDRAIN, EverDRAIN, EverDRAIN Professional and DuraDRAIN systems.
- Converters join cut sections in EasyDRAIN and EverDRAIN.
- Pit Boss secures stormwater pipe connections and reduces movement.
- Leaf Dome prevents leaves and debris entering drainage lines.

### Warranty

Polymer

5 Years

### Product Drawing



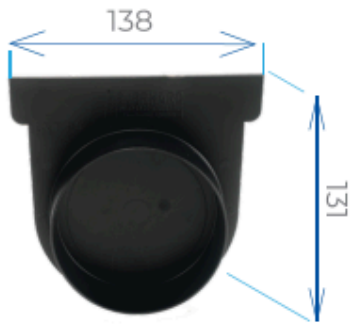
80 END CAP



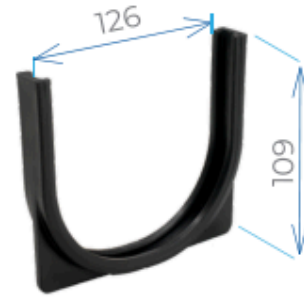
80 CONVERTER

Disclaimer: All measurement are in millimetres and are solely for reference purposes. Colours have been reproduced with as much accuracy as possible. Any changes resulting from technical advance of design or colour may be made without prior notice. Further information on warranties is available at [www.everhard.com.au](http://www.everhard.com.au)

## Product Drawing



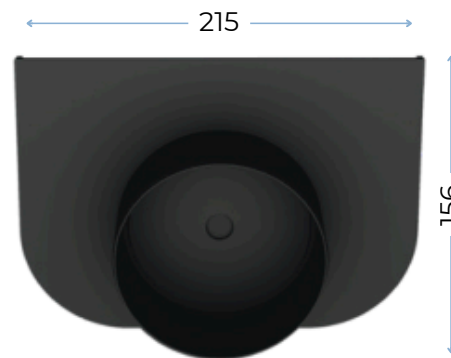
100 END CAP



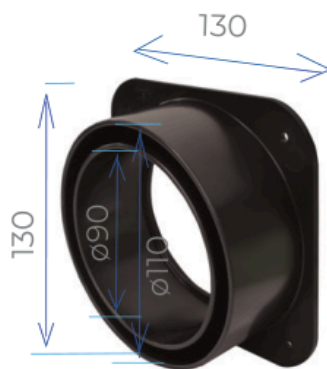
100 CONVERTER



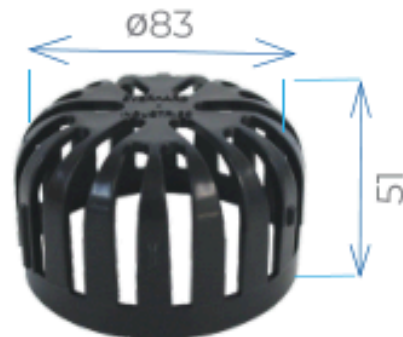
150 END CAP



200 END CAP



PIT BOSS



LEAF DOME