

SERIES 600 STORMWATER PITS AND GRATES

Products covered in this spec sheet are as listed below:

Product	Code	Class	Weight (kg)	Overall Size	Depth	Category
Series 900 Stormwater Pit	97965		43	L: 1100 x W: 1100mm	960mm	Pit
Series 900 Stormwater Pit & Galvanised Grate	97980	B	117	L: 1100 x W: 1100mm	960mm	Pit & Grate

Material

Pits: Recycled UV stabilised polymer

Grates: Galvanised steel

Suitable Applications



LOW-HIGH RAINFALL



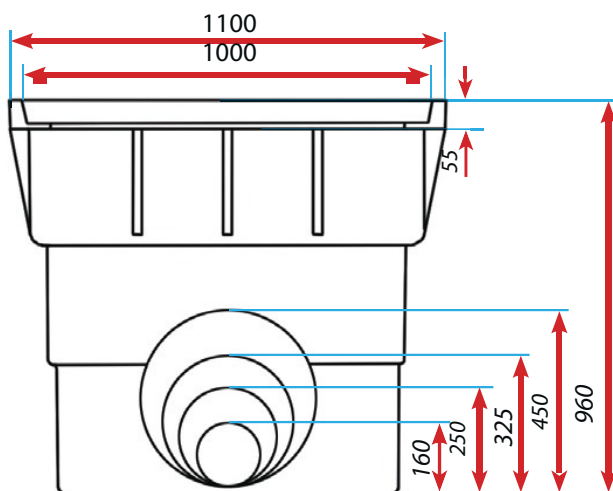
OUTDOOR AREAS

Warranty

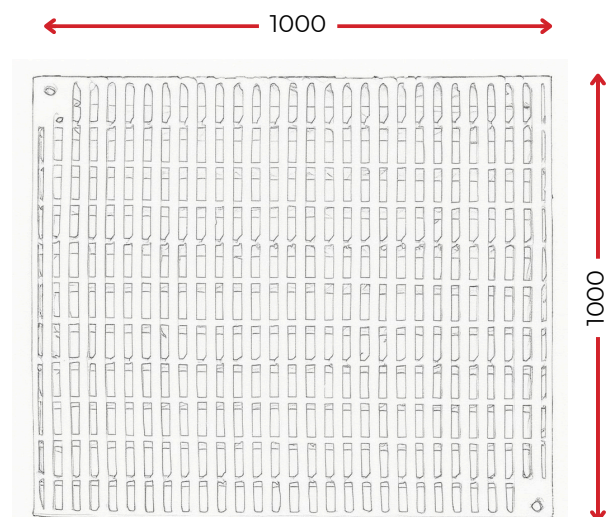
Polymer Components 5 Years

Metal Components 1 Year

Product Drawing



SERIES 900 STORMWATER PIT



SERIES 900 GALVANISED GRATE