

## SERIES 600 STORMWATER PITS AND GRATES

Products covered in this spec sheet are as listed below:

Product	Code	Class	Weight (kg)	Overall Size	Depth	Category
Series 600 Galvanised Steel Grate	21043	A	22	L: 600 x W: 600mm	30mm	Grate
Series 600 Checker Plate Cover	21052		19.7	L: 600 x W: 600mm	6mm	Cover
Series 600 Stormwater Pit Case	80010		14	L: 615 x W: 615mm	600mm	Pit
Series 600 Stormwater Pit Riser	80036		8.8	L: 615 x W: 615mm	200mm	Accessory
Series 600 Stormwater Pit with Galvanised Grate	80077	A	33.9	L: 615 x W: 615mm	600mm	Pit & Grate

### Material

Pits: Recycled UV stabilised polymer  
 Grates: Galvanised steel  
 Covers: Galvanised steel

### Suitable Applications



LOW-HIGH RAINFALL



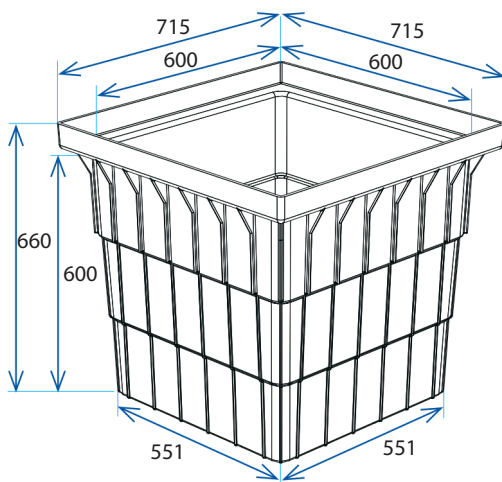
OUTDOOR AREAS

### Warranty

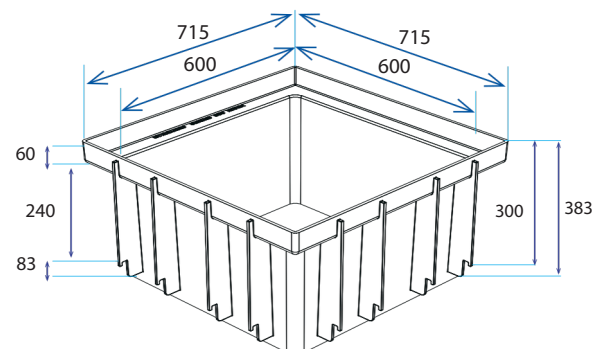
Polymer Components 5 Years

Metal Components 1 Years

### Product Drawing

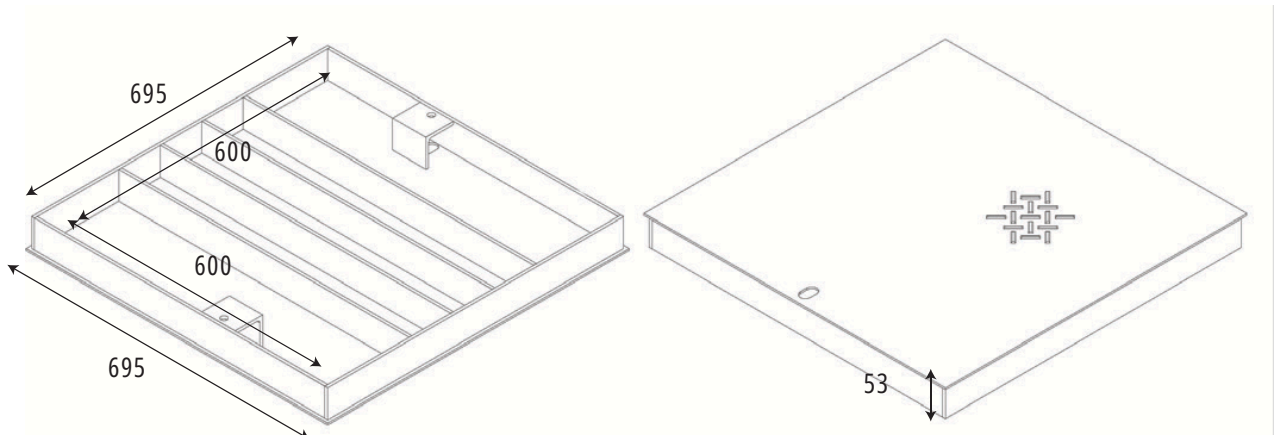


SERIES 600 STORMWATER PIT

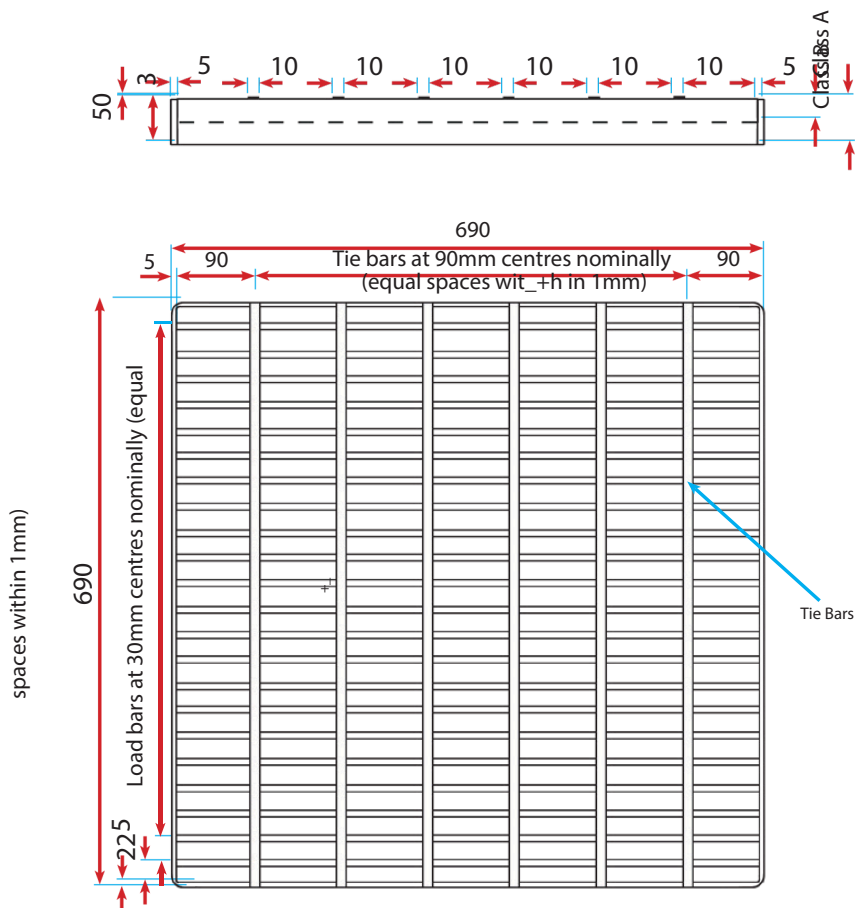


SERIES 600 STORMWATER PIT RISER

Disclaimer: All measurement are in millimetres and are solely for reference purposes. Colours have been reproduced with as much accuracy as possible. Any changes resulting from technical advance of design or colour may be made without prior notice. Further information on warranties is available at [www.everhard.com.au](http://www.everhard.com.au)



SERIES 600 GALVANISED CHECK GRATE



SERIES 600 GALVANISED GRATE