

## RAINWATER & FLO-WAY SYSTEMS

Products covered in this spec sheet are as listed below:

Product	Code	Class	Weight	Overall Size	Depth	Category
Rainwater Pit Leaf Basket	84041		0.08kg	L: 257 x W: 257mm	77mm	Accessory
Rainwater Pit with Black Polymer Grate	84767	A	1.10kg	L: 257 x W: 257mm	275mm	Pit & Grate
Flo-way Polymer Grate Black	81010	A	0.20kg	L: 246 x W: 246mm	10mm	Grate
Flo-way Shallow with Polymer Grate Black	84812	A	0.50kg	L: 257 x W: 257mm	77mm	Pit & Grate
Flo-way Shallow Pit Case	84814		0.30kg	L: 257 x W: 257mm	77mm	Pit
Rainwater Pit Case	84825		0.90kg	L: 257 x W: 257mm	275mm	Pit
Flo-way Aluminium Grate	21330	A	0.60kg	L: 248 x W: 248mm	22mm	Grate
Flo-way Shallow Pit with Aluminium Grate	84762	A	1.00kg	L: 257 x W: 257mm	75mm	Pit & Grate
Rainwater Pit with Aluminium Grate	84768	A	1.50kg	L: 257 x W: 257mm	275mm	Pit & Grate

### Material

Pits: Recycled UV stabilised polymer  
Grates: Recycled UV stabilised polymer or dual coated aluminium

### Suitable Applications



LOW-MED RAINFALL



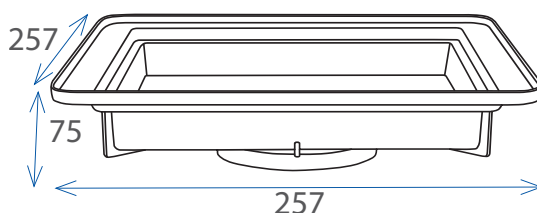
GARDENS

### Warranty

Polymer Components 5 Years

Metal Components 1 Years

### Product Drawing

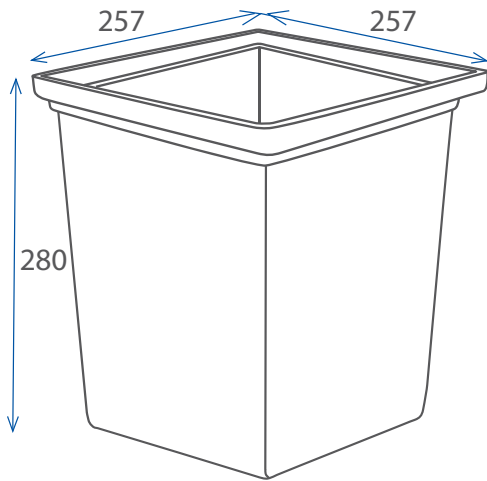


FLO-WAY PIT

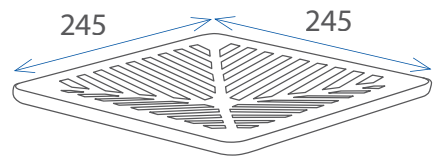
Disclaimer: All measurement are in millimetres and are solely for reference purposes. Colours have been reproduced with as much accuracy as possible. Any changes resulting from technical advance of design or colour may be made without prior notice. Further information on warranties is available at [www.everhard.com.au](http://www.everhard.com.au)

## Product Drawing

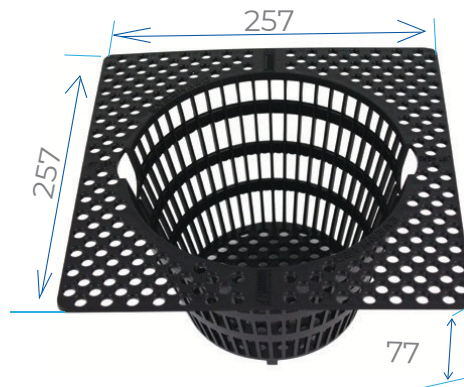
---



RAINWATER PIT



GRATE



RAINWATER PIT LEAF BASKET