

# SPEC PACK EI TRADE COLLECTION

SPEC SHEET



## EI TRADE 1TH OVAL DROP IN BASIN

### PRODUCT CODE:

75115B

### FEATURES:

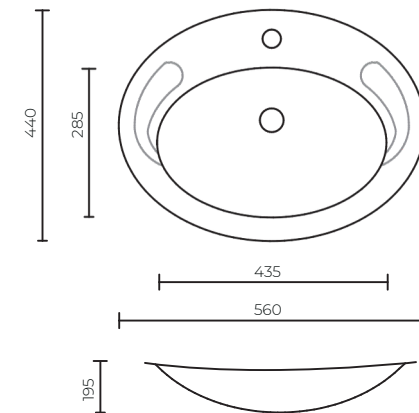
- / 5.8L capacity
- / Complete with chrome overflow
- / Available with 1 or 3 tapholes
- / Gloss white china basin

### OVERALL DIMENSIONS: 560 L

x 440 W x 195mm D

### WARRANTY:

5 years replacement only  
1 year replacement warranty on  
plug and waste



Disclaimer: All measurement are in millimetres and are solely for reference purposes. Colours have been reproduced with as much accuracy as possible. Any changes resulting from technical advance of design or colour may be made without prior notice. Tapware, accessories and appliances are for illustration purposes only. Further information on warranties is available at [www.everhard.com.au](http://www.everhard.com.au)

# SPEC PACK EI TRADE COLLECTION

PRODUCT DRAWING

