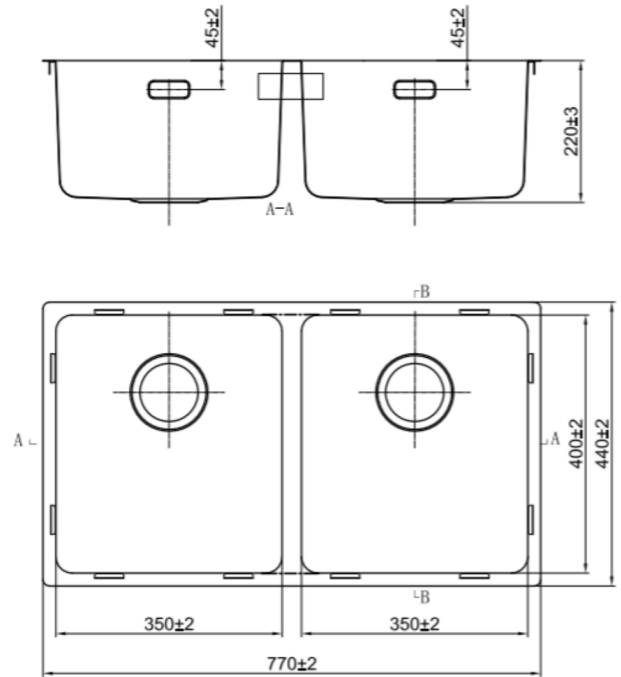


NUGLEAM DOUBLE SINK WITH OVERFLOW
73N0014



Specifications

Overall Sink Size	L: 770mm W: 440mm D: 220mm
Bowl Dimensions	L: 770mm W: 400mm
Weight	6.6kg
Capacity	21L & 21L
Thickness	1mm

Installation

Cut-out*	Please refer to template
Cabinet Size (min)	900mm
Tap Hole	No
Overflow	Rectangular Overflow

Warranty

Sink	25 Years
Parts	1 Year

Surface Finish SOFT SILK FINISH	Waste Kit 90MM 50MM	Material SUS 304 STAINLESS STEEL
Installation Options TOP MOUNT FLUSH MOUNT UNDER MOUNT		Bowl Radius 25MM RADIUS CORNERS

Supplied Components

 SINK	 90MM BASKET WASTE	 CUT OUT TEMPLATE	 OVERFLOW
 MOUNTING BRACKETS	 SEALING TAPE		

Optional Accessories

 CHOPPING BOARD	 DRAINING TRAY		
--------------------	-------------------	--	--

*Cut-out dimensions are a guide only, please use the actual sink as your template.

Disclaimer: All measurement are in millimetres and are solely for reference purposes. Colours have been reproduced with as much accuracy as possible. Any changes resulting from technical advance of design or colour may be made without prior notice. Tapware, accessories and appliances are for illustration purposes only. Further information on warranties is available at www.everhard.com.au